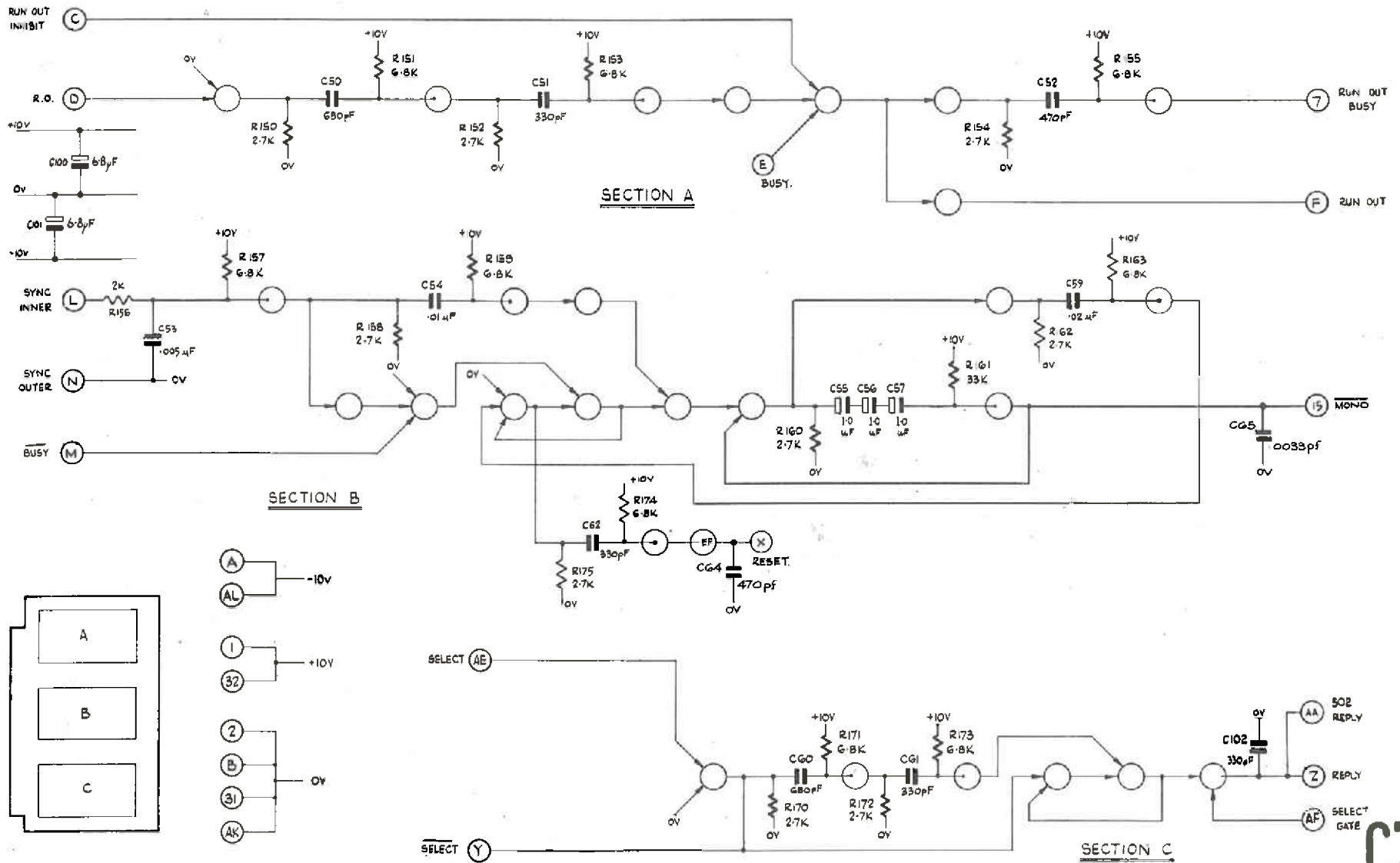


NOTE:-  
FOR EXPLANATION OF LOGIC SYMBOLS SEE 3220 4917



Tape Punch Control 2

A-A03

C7