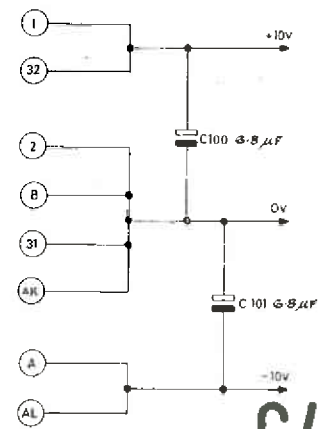
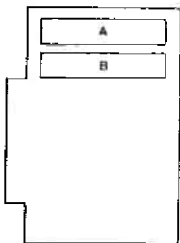
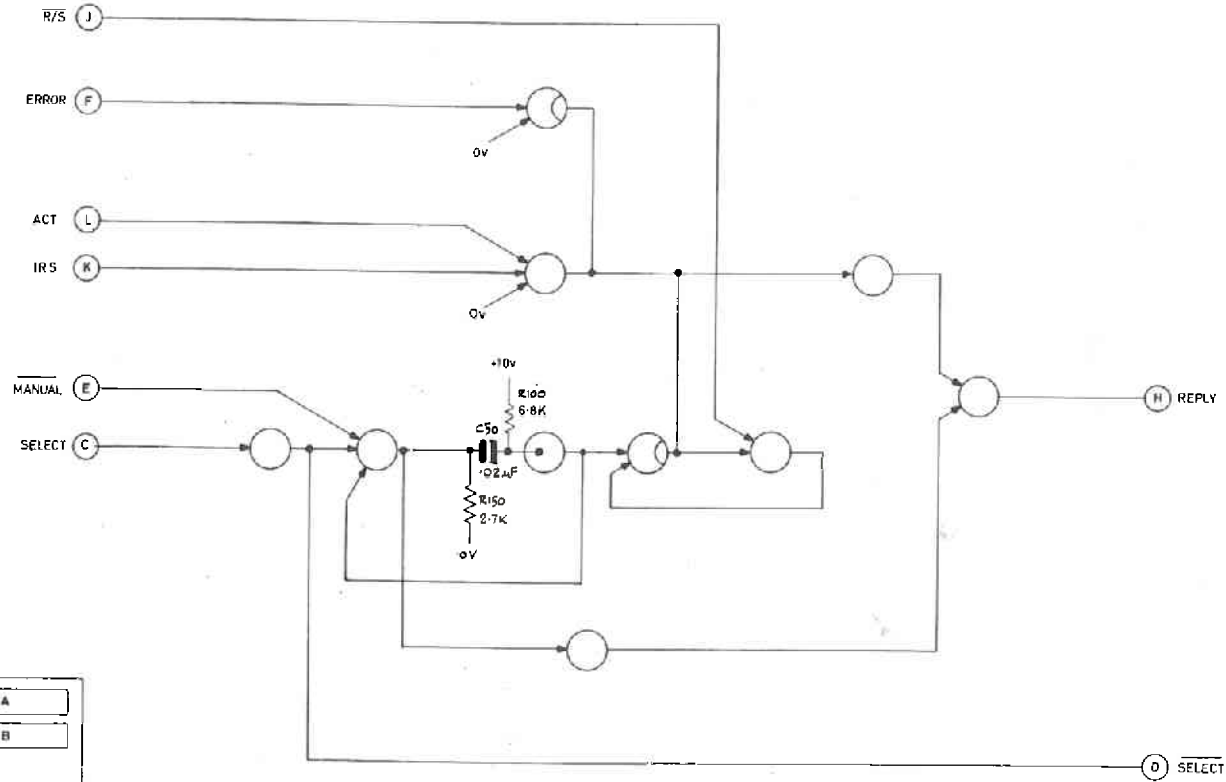


NOTE:-
FOR EXPLANATION OF LOGIC SYMBOLS SEE 322D497

SECTIONS A&B



C4