

10 v STABILISER
COMPONENT TABLE

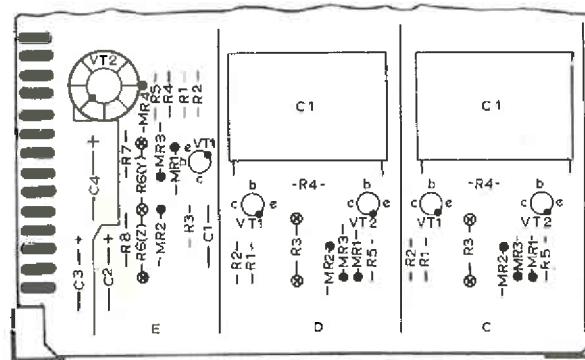
R	VALUE	TOL ± %	VOLTAGE
1	3K	5	
2	1.8K	5	
3	100	5	
4,5	91	3	
6	SELECT ON TEST	5	
7	68	5	
8	220	5	
C 1	0.0047µF	20	125
2	10µF	20	20 PURCH. SPEC.
MR			
1,2	ZENER DIODE		221
3,4	DIODE		
VT			
1	TRANSISTOR		MPSA16 I55 B
2	TRANSISTOR		BFY 50 MULLARD

POSITION E

PULSE GENERATOR
COMPONENT TABLE

R	VALUE	TOL ± %	VOLTAGE
1	5.6K	5	
2	1K	5	
3	SELECT ON TEST	5	
4	13K	1/4	
5	220	5	
C			
1	0.25µF	1/2	200 PURCH. SPEC.
MR			
1,2,3	DIODE		221
VT			
1,2	TRANSISTOR		MPSA16 I55 B

POSITIONS C&D



DECOUPLING CAPACITORS C1, C2, C3 ARE 10 µF ± 20% CAT. No. 9137
C4 10 µF ± 20% CAT. No. 9608