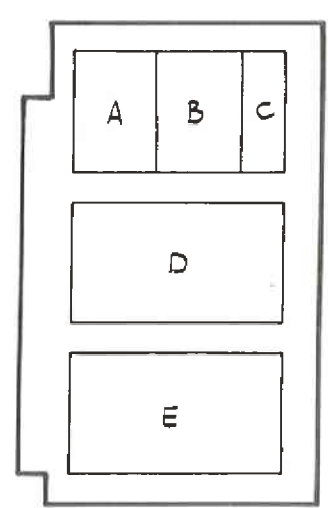
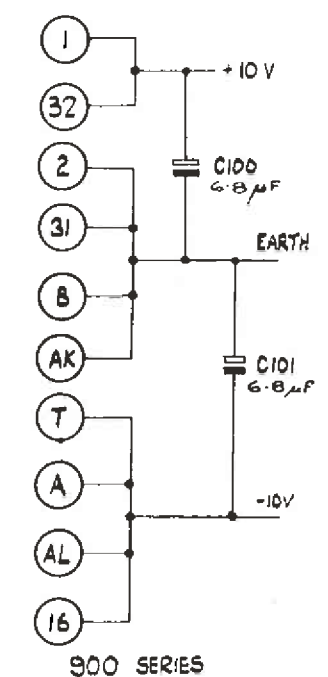


NOTE:-  
FOR EXPLANATION OF LOGIC SYMBOLS.  
SEE 322 D4917



C3