

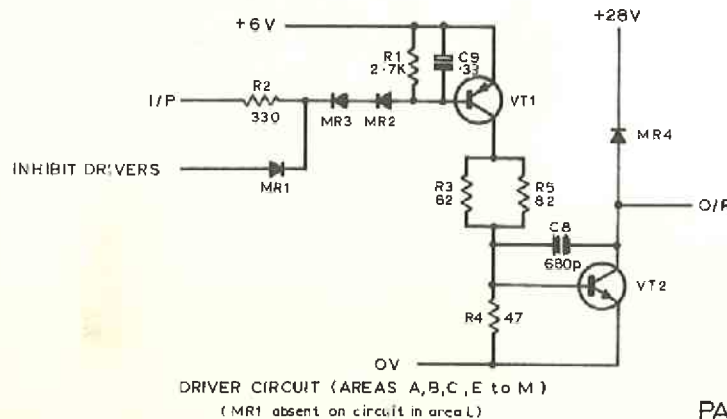
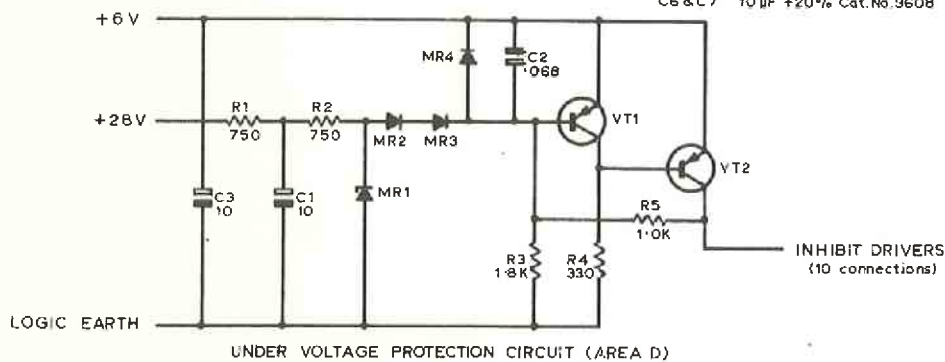
UNDER VOLTAGE PROTECTION CIRCUIT COMPONENT TABLE

R	Value	Tol ± %	Voltage
1, 2	750	5	
3	1.8K	5	
4	330	5	
5	1.0K	5	
C			
1	10µF	20	
2	0.068µF	5	
3	10µF	20	
MR		P. 5. No.	
1	ZENER DIODE	221	
2 to 4			
VT			
1 2		219	

DRIVER CIRCUIT COMPONENT TABLE

R	Value	Tol ± %	Voltage
1	2.7K	5	
2	330	5	
3 5	82	5	
4	47	5	
MR		P. S. No.	
1 to 3		221	
4			
VT			
1		219	
2	AREA A to C E to K	200	
	AREA L, M		
C9	0.33µF	5	
B	680 pF	5	

Decoupling Capacitors
 C4 & C5 10µF ±20% Cat. No.9137
 C6 & C7 10µF +20% Cat. No.9608



C25