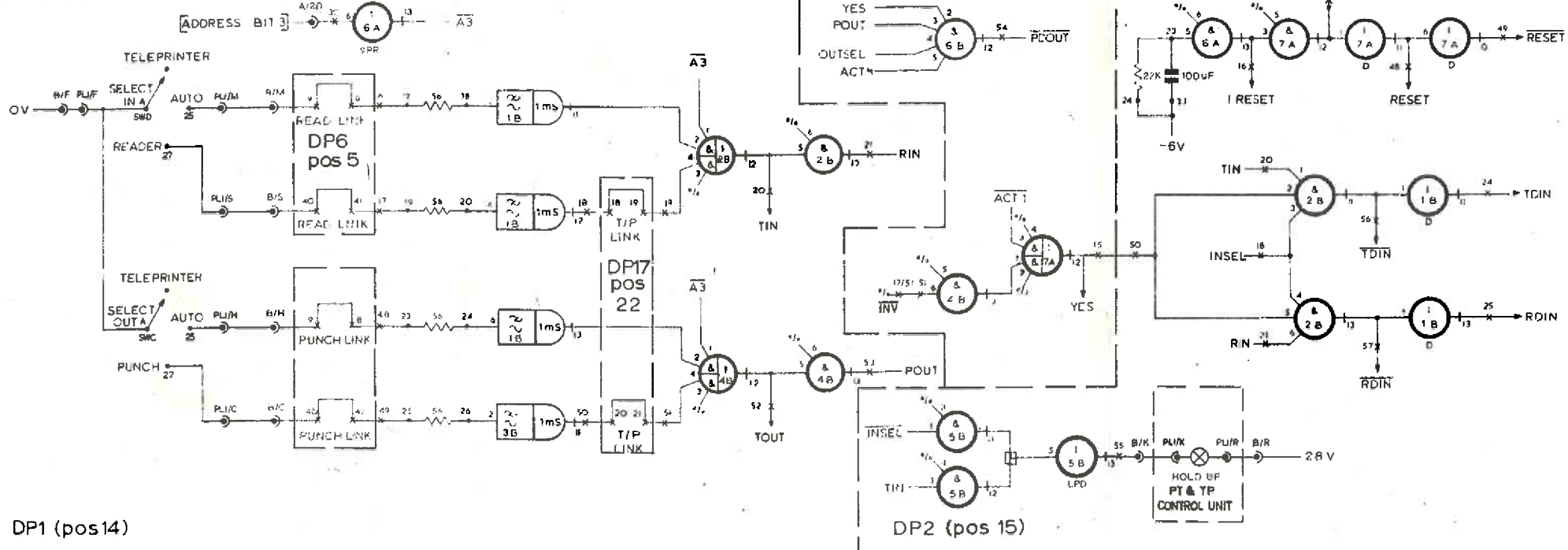
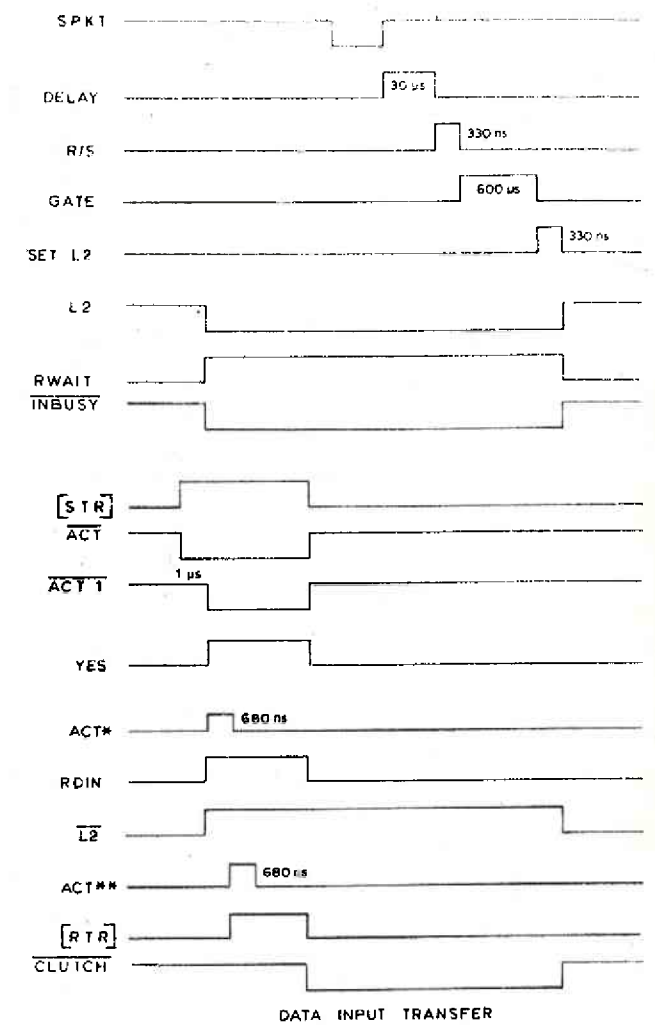


DP3 (pos 16)



DP1 (pos 14)



NOTE: "X" INDICATES "NOT CONNECTED"