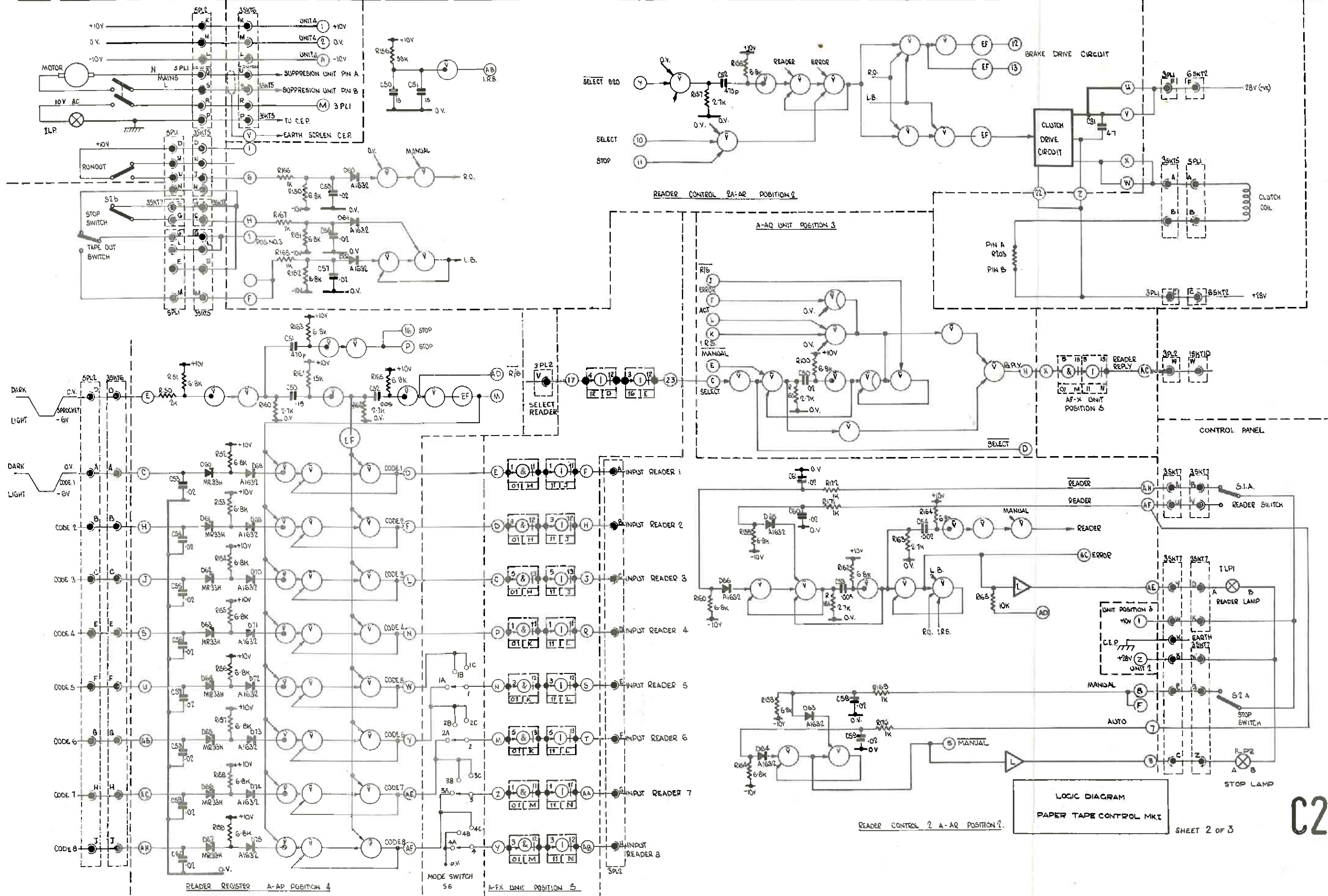


RESISTORS	50, 51, 152-159, 160, 166-168, 161, 163, 156, 151, 152, 164, 165, 156	151, 160, 154, 158, 159, 153, 150, 100, 161, 171, 172, 62, 169, 110, 163, 164, 165, 203,
CAPACITORS	53-60	52, 50, 61, 60, 53, 58, 59, 54, 31,
MISC.	LP, S2b, D60-61, D68-75, D60-62	D66, D64, D65



C2

LOGIC DIAGRAM
PAPER TAPE CONTROL MK1

SHEET 2 OF 3