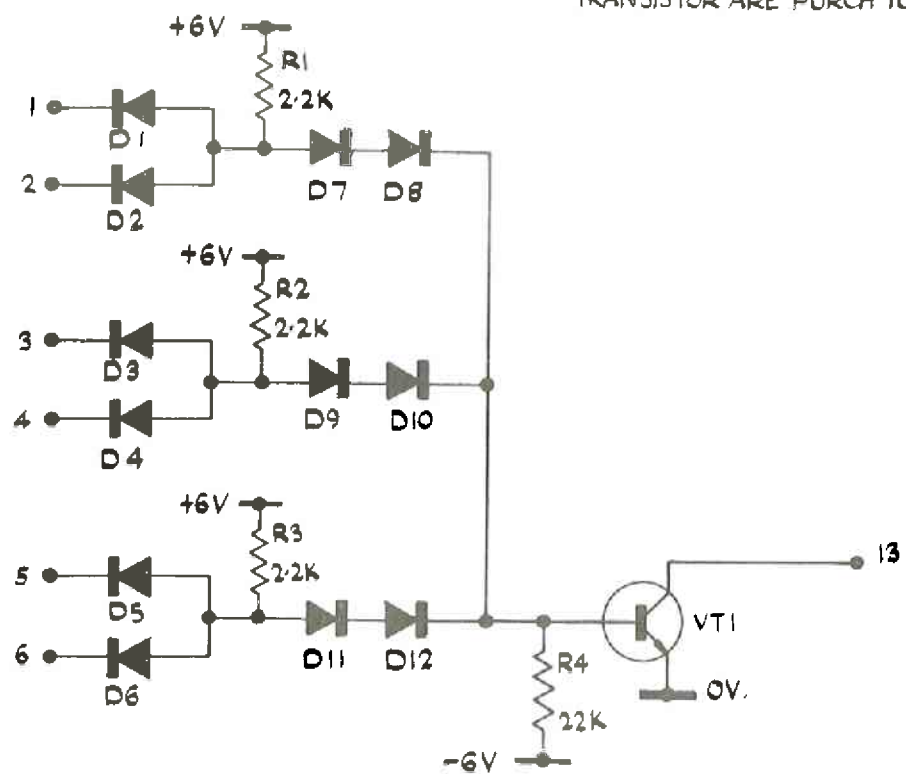


DIODES ARE PURCH 101  
TRANSISTOR ARE PURCH 100.



+6V ——— 21  
0V ——— 23  
-6V ——— 22

DRAWN	C.A.C.	ISSUE No.	1	2
CHECKED	CS 456	A.R. No.	1374	1997
APPR VED		DATE	26-4-66	26-4-67
DATE	10/5/66	INITIALS	C.A.C.	JWS

ELLIOTT BROTHERS (LONDON) LTD.

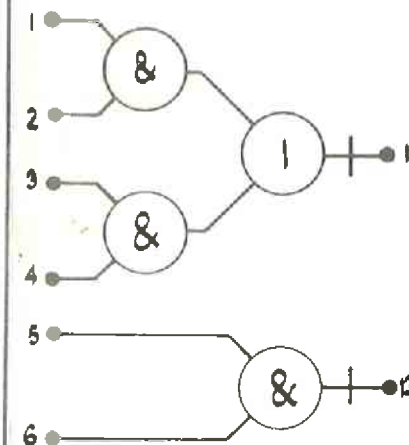
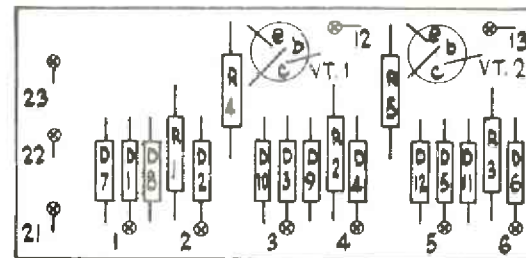
TITLE

L.S.A. 05  
920B.

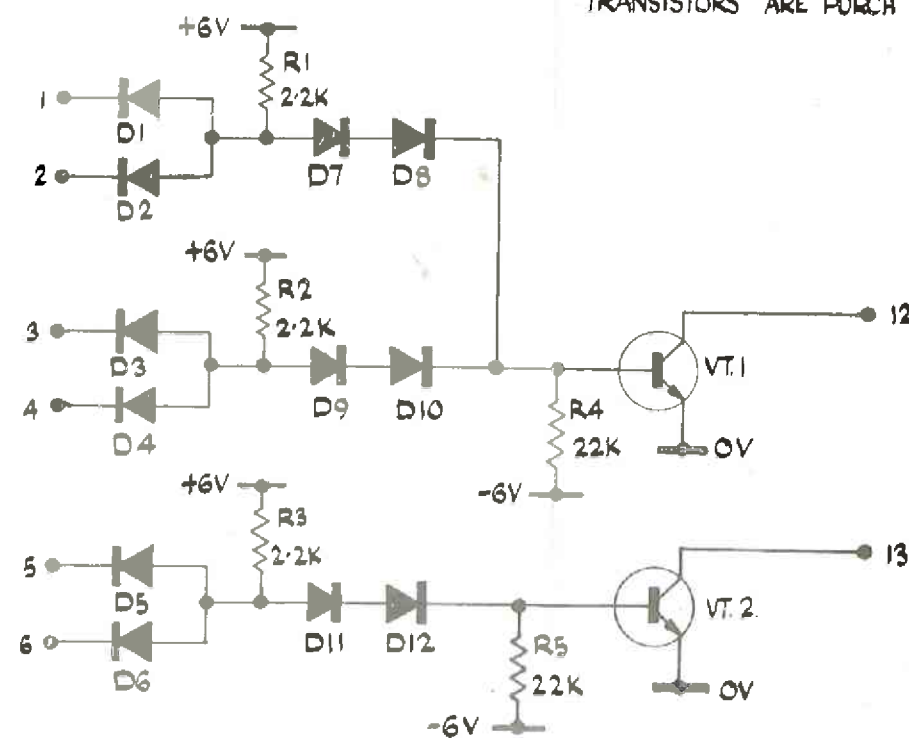
INSTRUCTION SHEET

322A 7191

SHEET No 5  
OF



DIODES ARE PURCH 101.  
TRANSISTORS ARE PURCH 100.



+6V ——— 21  
0V ——— 23  
-6V ——— 22

DRAWN	C.A.C.	ISSUE No.	1	2	4
CHECKED	CS 456	A.R. No.	1374	1997	2123
APPR VED		DATE	26-4-66	26-4-67	-1
DATE	10/5/66	INITIALS	C.A.C.	JWS	GI

ELLIOTT BROTHERS (LONDON) LTD.

TITLE

L.S.A. 06  
920 B

INSTRUCTION SHEET

322A 7191

SHEET No 6  
OF