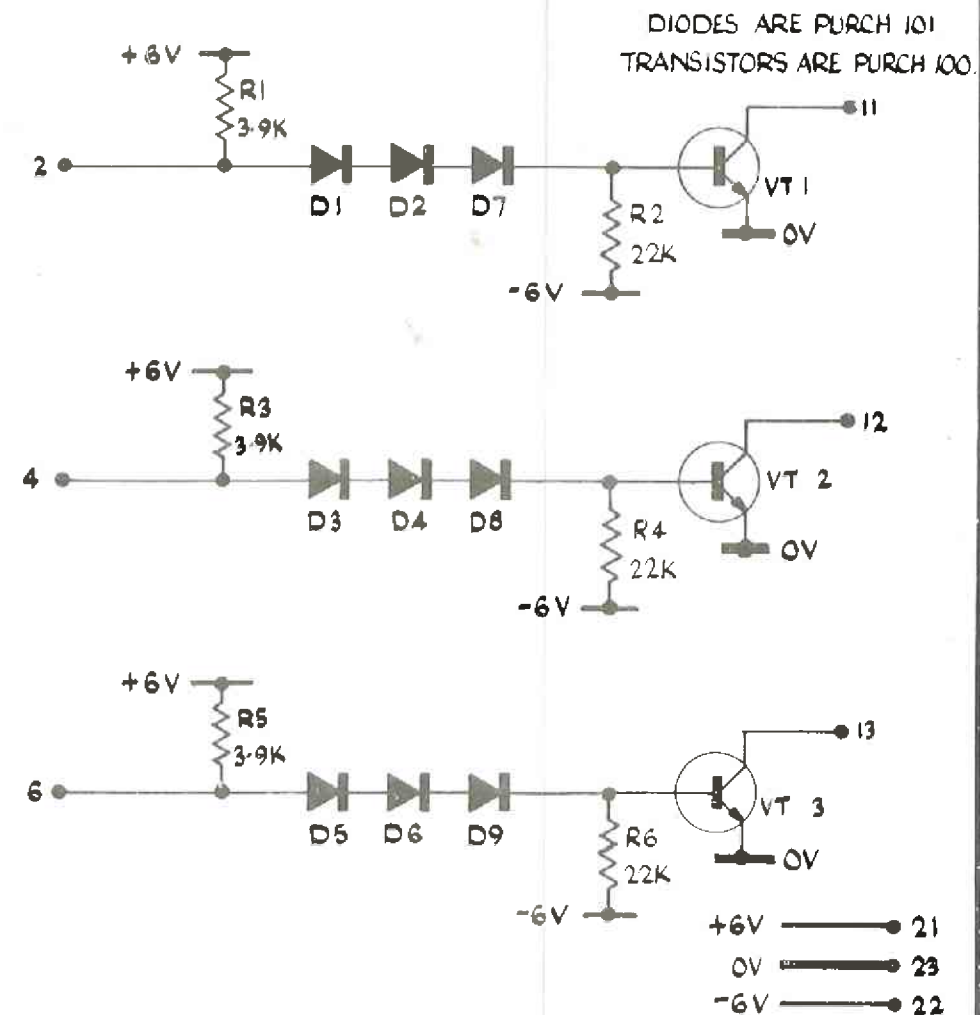
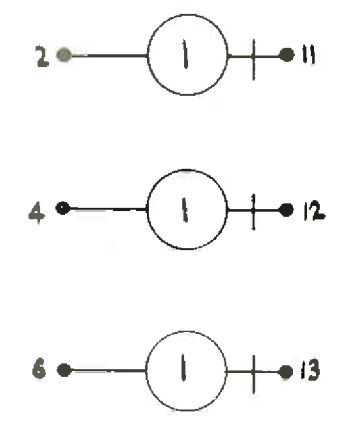
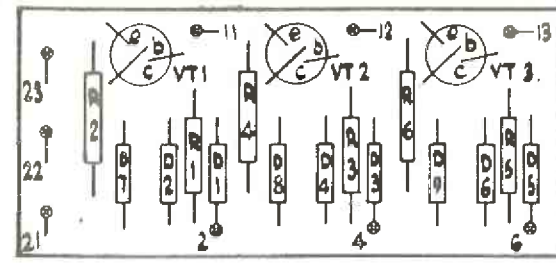


DRAWN	C.A.C.	ISSUE No.	1 2
CHECKED	C.S.	A.R. No.	1374 1997
APPROVED	C.A.C.	DATE	26-4-66 16 4 67
DATE	16/5/66	INITIALS	C.A.C. S.M.S.

ELLIOTT BROTHERS (LONDON) LTD.
 TITLE L.S.A. 03 INSTRUCTION SHEET
 4-INPUT NAND GATE + 2 INVERTERS 920B 322A7191 SHEET No 3 OF



DRAWN	C.A.C.	ISSUE No.	1 2
CHECKED	C.S.	A.R. No.	1374 1997
APPROVED	C.A.C.	DATE	26-4-66 16 4 67
DATE	16/5/66	INITIALS	C.A.C. S.M.S.

ELLIOTT BROTHERS (LONDON) LTD.
 TITLE L.S.A. 04 INSTRUCTION SHEET
 CONTROL MATRIX WAVEFORM AMPLIFIERS 920B 322A7191 SHEET No 4 OF