

DIODES ARE PURCH 101
TRANSISTORS ARE PURCH 100.



DRAWN	C.A.C.	ISSUE No.	1	2	3
CHKD BY	CS 456	A.R. No.	1374	1997	2123
APPROVED	<i>[Signature]</i>	DATE	26-4-66	30-3-67	
DATE	27-6-66	INITIALS	C.A.C.	S.M.	G.L.

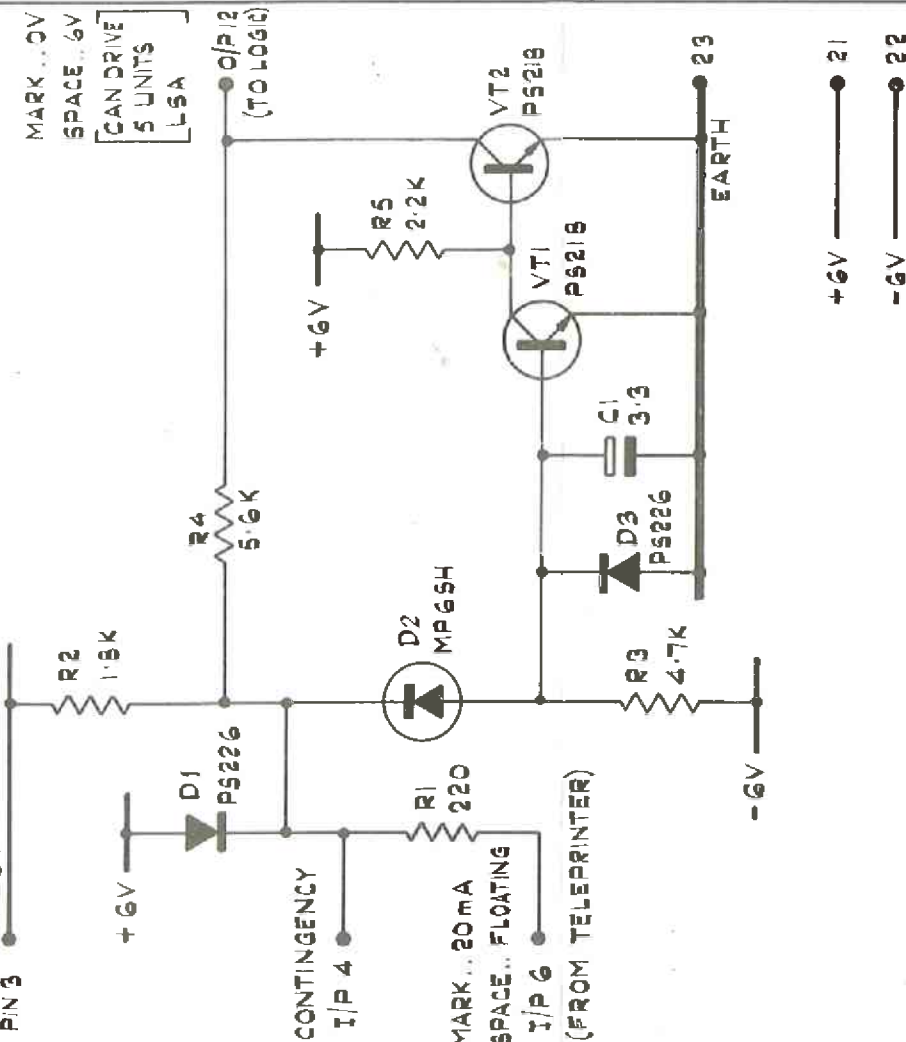
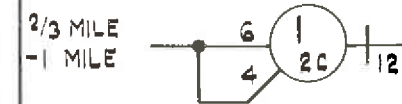
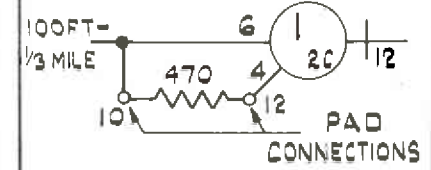
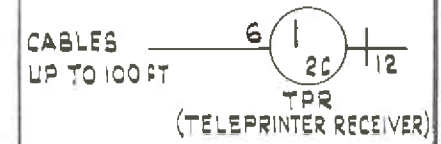
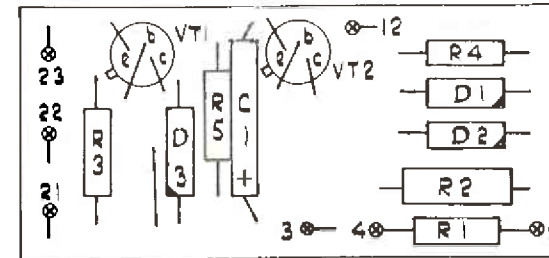
ELLIOTT BROTHERS (LONDON) LTD.

L.S.A. 28
2-INPUT NAND GATES.

INSTRUCTION SHEET

322A7191

SHEET No 23
OF



DRAWN	W.V.P.	ISSUE No.	2	3
CHECKED		A.R. No.	1997	2123
APPROVED	<i>[Signature]</i>	DATE	1-3-67	
DATE	27-6-66	INITIALS	S.M.	G.L.

ELLIOTT BROTHERS (LONDON) LTD.

L.S.A. 29
TELEPRINTER RECEIVER

INSTRUCTION SHEET

322 A 7191

SHEET No 24
OF