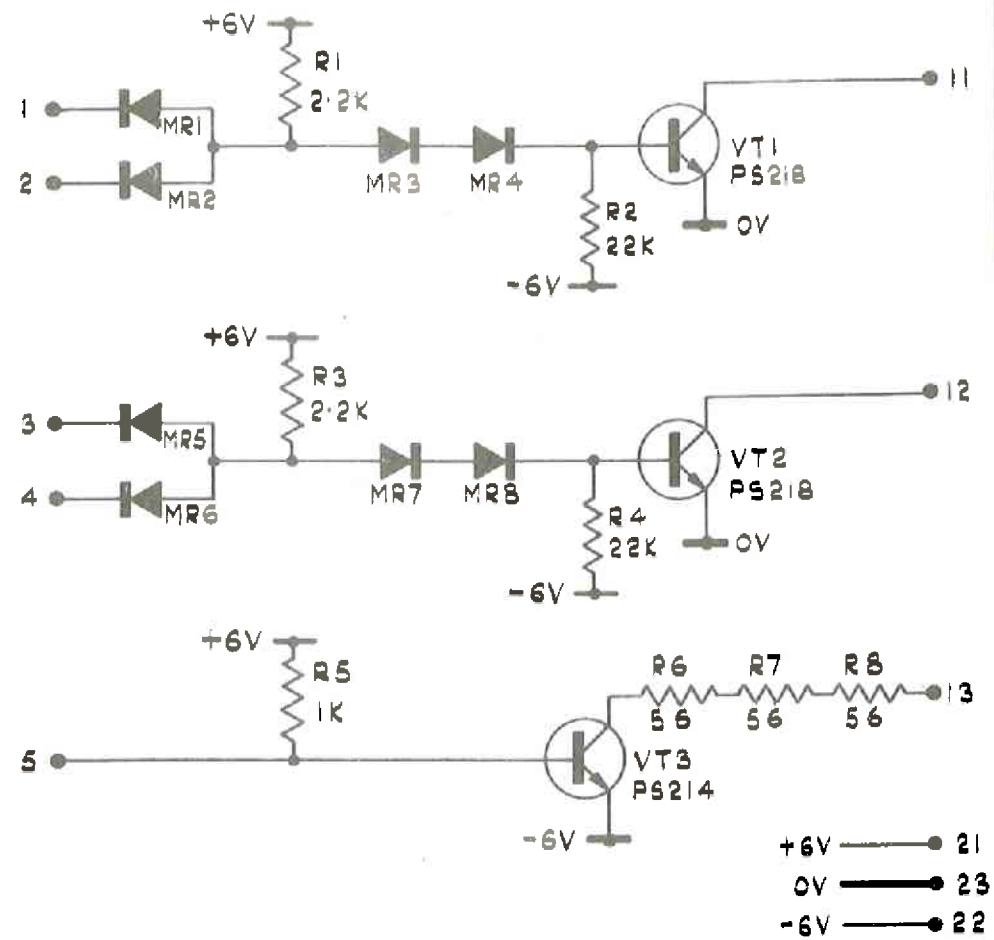


DIODES ARE PS226



DRAWN	W.V.P	ISSUE No.	2	3
CHECKED	S.H.33	AR No.	1997	2123
APPR'VED	S.H.33	DATE	23.67	
DATE	27.6.67	INITIALS	S.H.33	GL

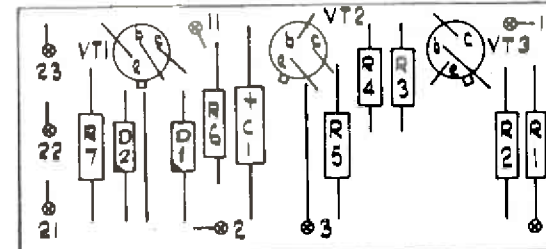
ELLIOTT BROTHERS (LONDON) LTD.

TITLE
L.S.A. 26
DUAL 2-INPUT NAND GATE +
SINGLE LAMP DRIVER

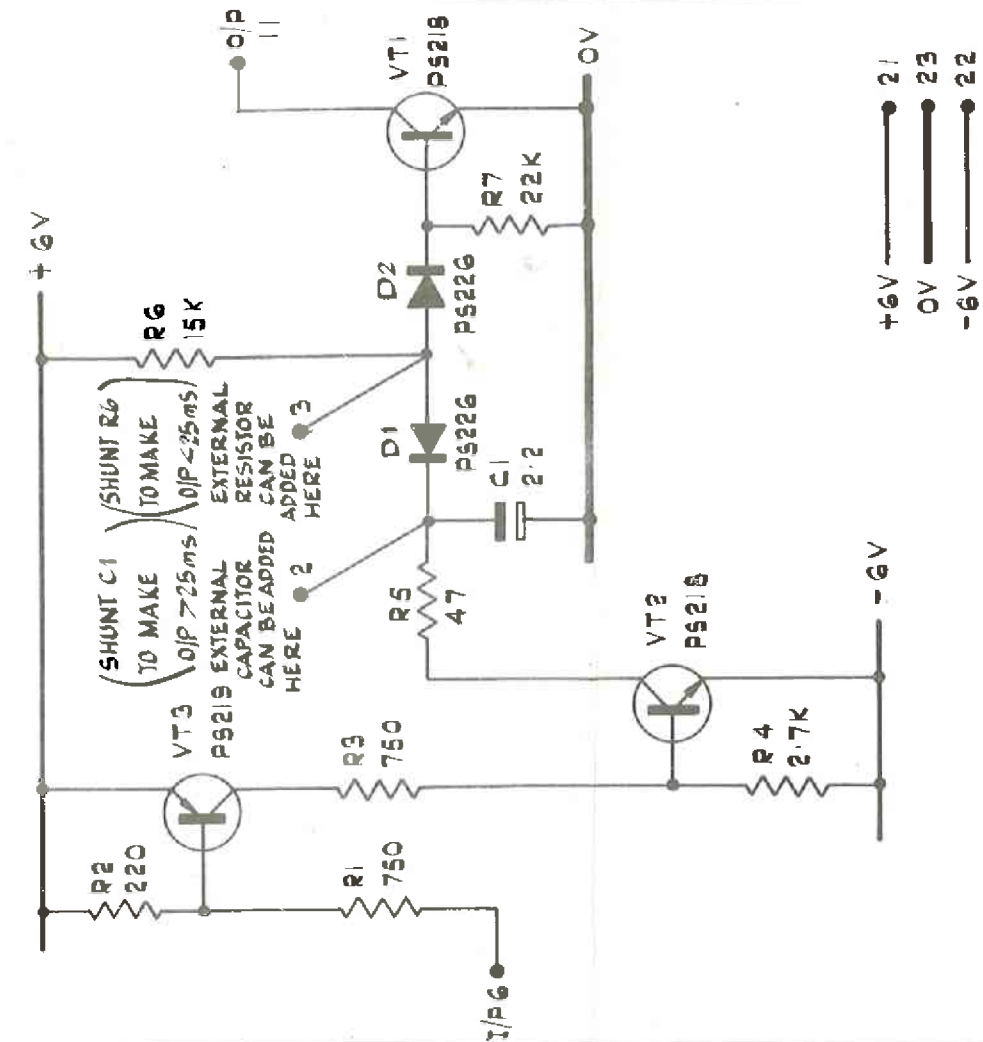
INSTRUCTION SHEET

322 A 7191

SHEET No 21
OF



NOMINAL O/P 25ms,
RANGE 1ms - 5 SECS
TOLERANCE ± 30%



DRAWN	W.V.P	ISSUE No.	2	3
CHECKED	S.H.33	AR No.	1997	2123
APPR'VED	S.H.33	DATE	23.67	
DATE	27.6.67	INITIALS	S.H.33	GL

ELLIOTT BROTHERS (LONDON) LTD.

TITLE
L.S.A. 27
REGENERABLE MONOSTABLE

INSTRUCTION SHEET

322 A 7191

SHEET No 22
OF