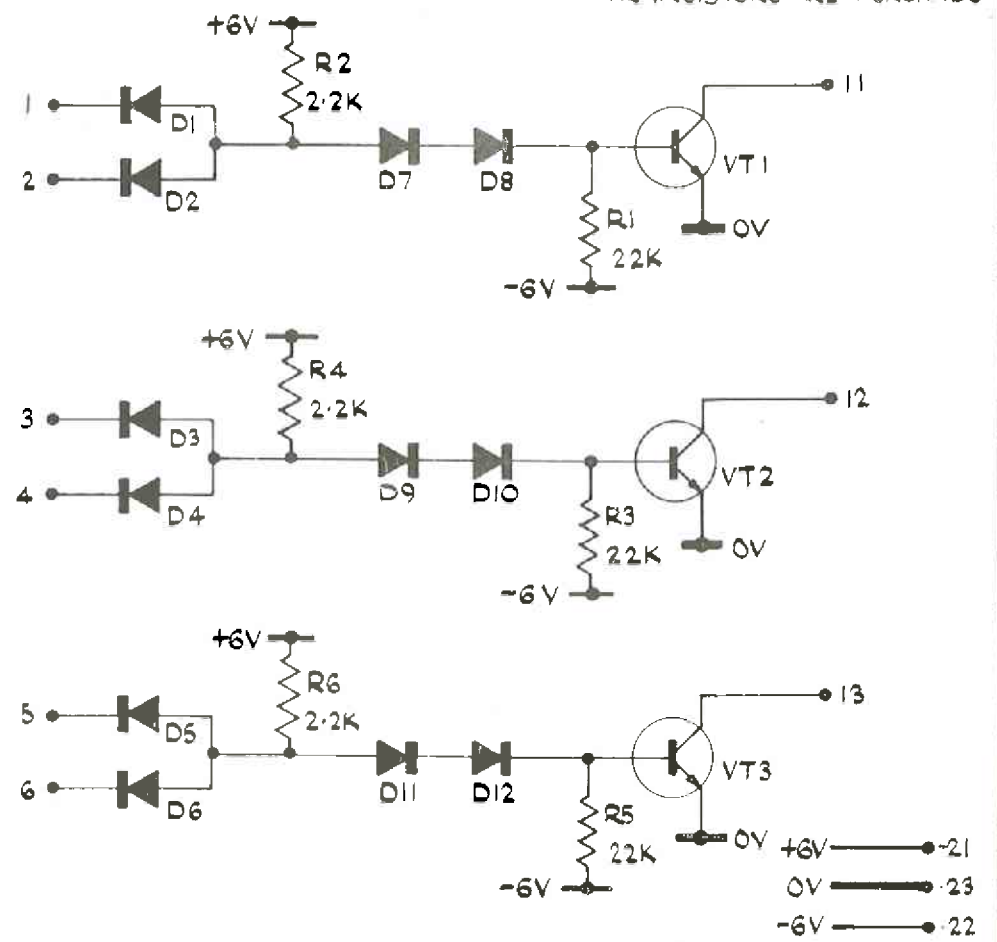


DIODES ARE PURCH 101
TRANSISTORS ARE PURCH 100



DRAWN C.A.C.	ISSUE No. 1 2 4
DESIGNED CS 456	AP. No. 1374 1997 2133
DATE 26-4-66	DATE 26-4-66
INITIALS C.A.C.	INITIALS C.A.C.

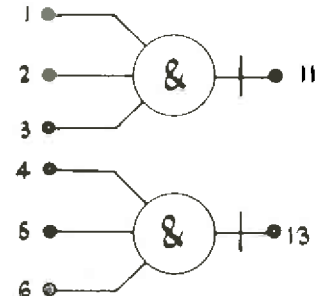
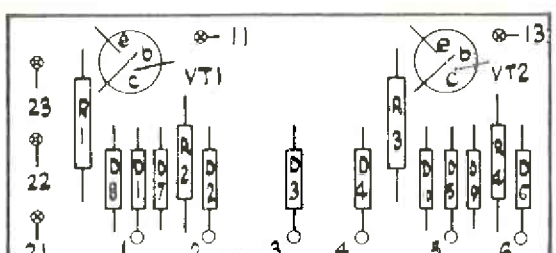
ELLIOTT BROTHERS (LONDON) LTD.

LSA 01
2-INPUT NAND GATE 920 B

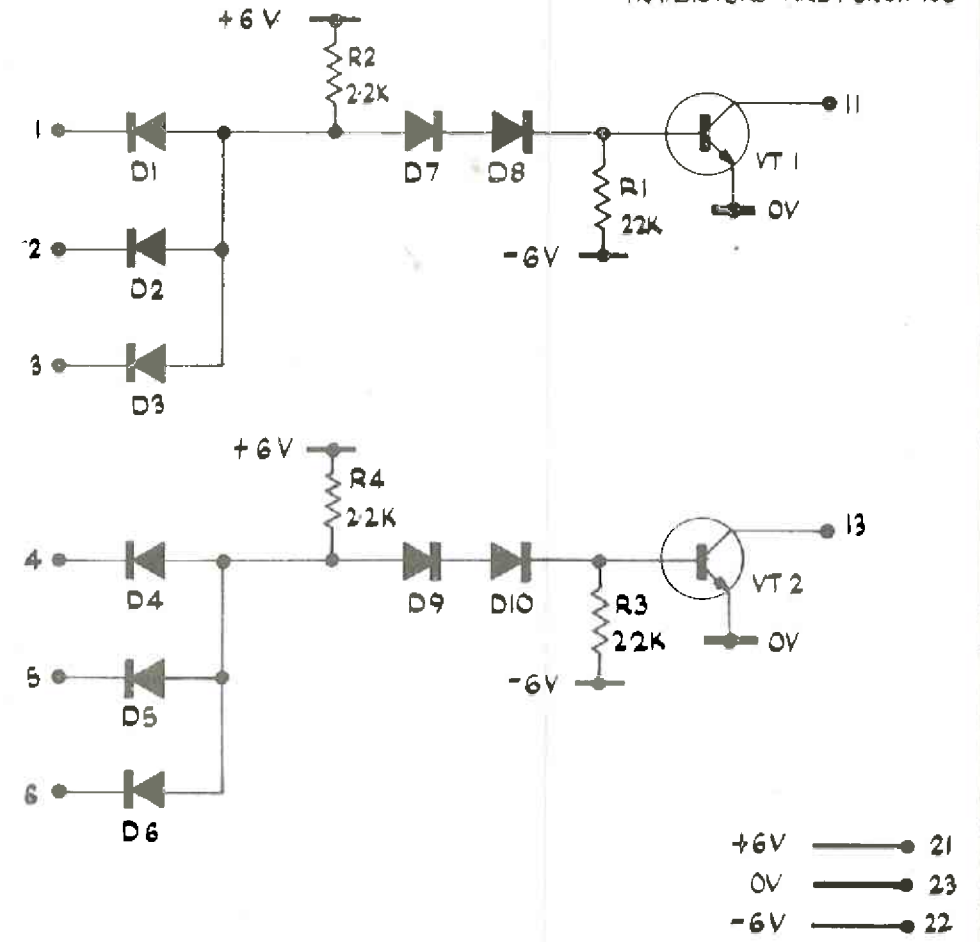
INSTRUCTION SHEET

322A7191

SHEET No 1
OF



DIODES ARE PURCH 101
TRANSISTORS ARE PURCH 100



DRAWN C.A.C.	ISSUE No. 1 2
DESIGNED CS 456	AP. No. 1374 1997
DATE 26-4-66	DATE 26-4-66
INITIALS C.A.C.	INITIALS C.A.C.

ELLIOTT BROTHERS (LONDON) LTD.

LSA 02
3-INPUT NAND GATE 920 B

INSTRUCTION SHEET

322A7191

SHEET No 2
OF