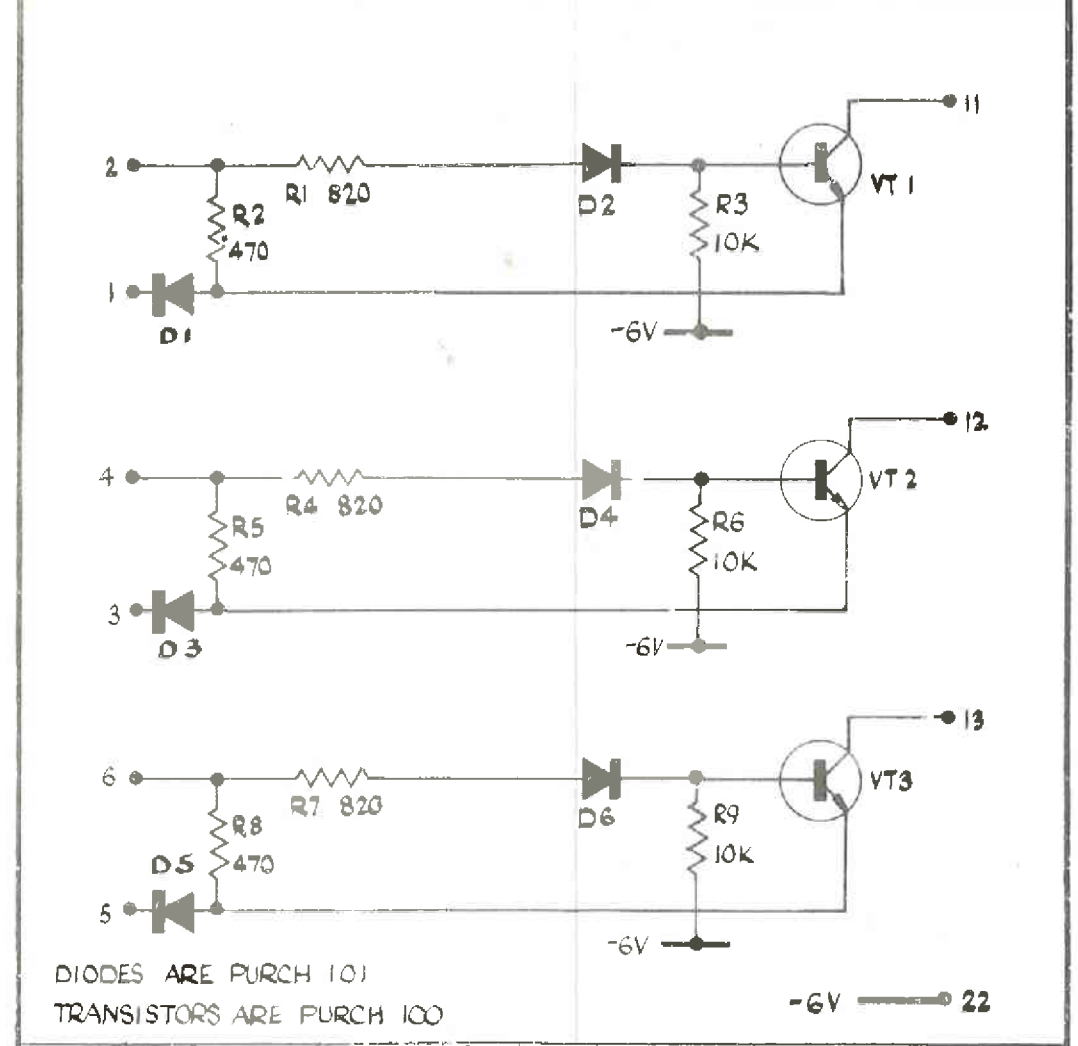
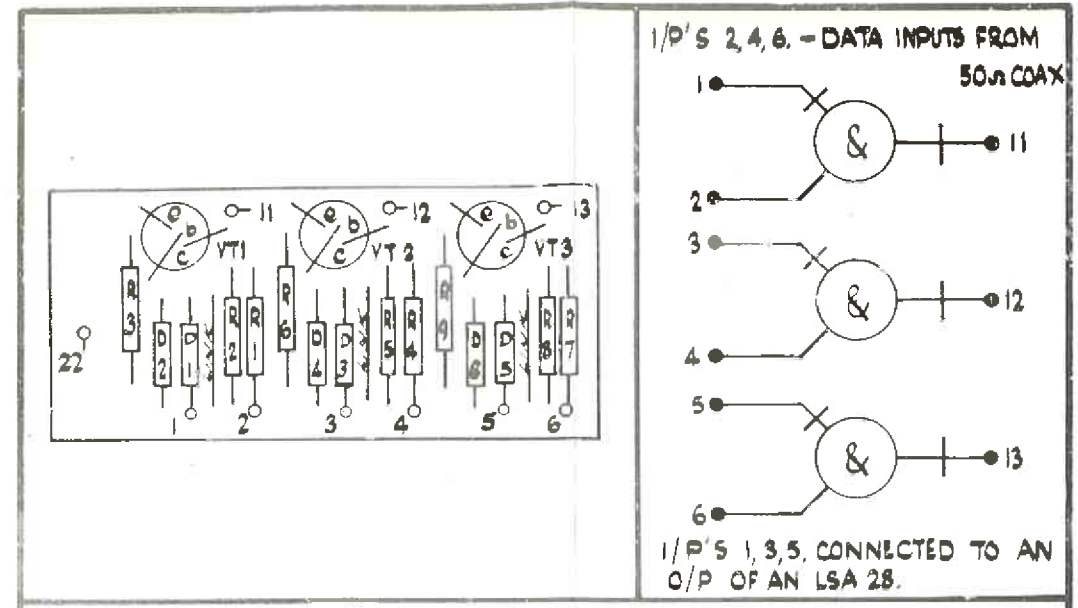


DRAWN C.A.C.	ISSUE No. 1 2
CHECKED CS456	AR No. 1374 1997
APPR VED [Signature]	DATE 26-4-66 30-3-67
DATE 10/5/66	INITIALS C.A.C. S.M.S.

ELLIOTT BROTHERS (LONDON) LTD.

TITLE L.S.A. 22. TWO INPUT TRANSMITTERS. INSTRUCTION SHEET 322 A 7191 SHEET No 19 OF



DRAWN C.A.C.	ISSUE No. 1 2 3
CHECKED CS456	AR No. 1374 1796 1997
APPR VED [Signature]	DATE 26-4-66 26/1/66 20-4-67
DATE 10/5/66	INITIALS C.A.C. S.M.S.

ELLIOTT BROTHERS (LONDON) LTD.

TITLE L.S.A. 23. GATED RECEIVERS. INSTRUCTION SHEET 322 A 7191 SHEET No 20 OF