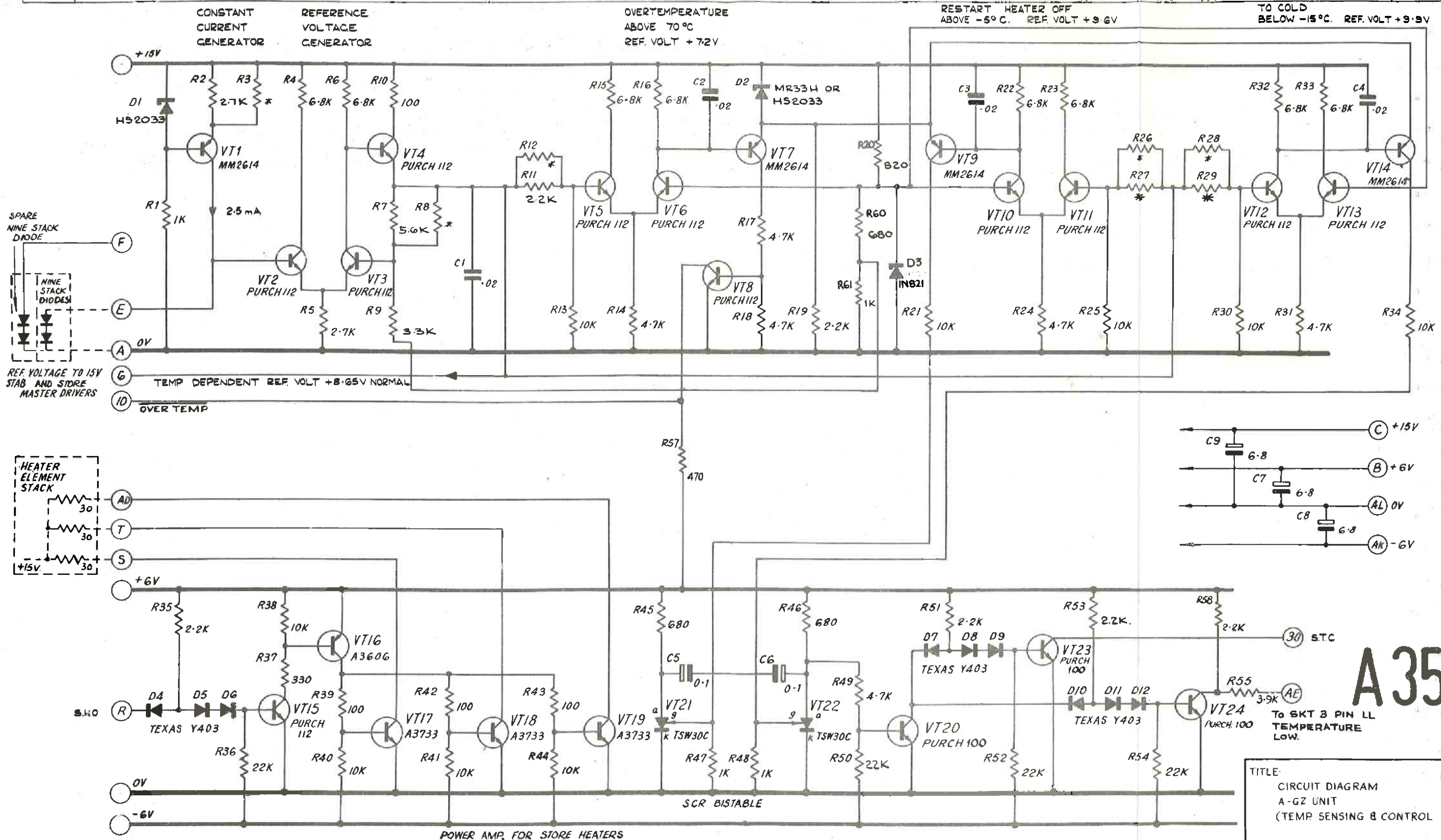


R	R1	R2	R3	R4	R5	R6	R7	R8	R9	R10	R11	R12	R13	R14	R15	R16	R17	R18	R19	R20	R21	R22	R23	R24	R25	R26	R27	R28	R29	R30	R31	R32	R33	R34	R
C																																			
MISC.	D1	VT1	D6	VT2	VT3	VT4																													



TITLE:
CIRCUIT DIAGRAM
A-GZ UNIT
(TEMP SENSING & CONTROL)

A35

