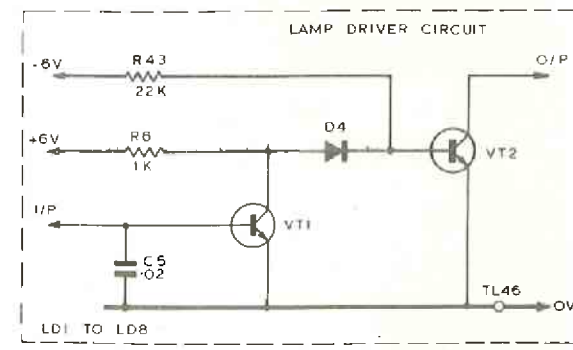


NOTE: ALL INDICATOR LAMPS ARE LOCATED IN SWITCHES OF THE SAME NUMBER.



TITLE:  
920 B CONTROL UNIT  
CIRCUIT DIAGRAM.

A22